



SPECIFICATIONS

CONTACT RATING:350 mA @ 110V(AC or DC) 150 mA @ 250V(AC or DC)
 CURRENT CARRYING CAPACITY:5A continuous
 ELECTRICAL LIFE:15,000 cycles at full load up to 30,000 detent operations.
 CONTACT RESISTANCE:30 m Ω max.
 OPERATING TEMPERATURE:-20°C to 85°C
 STOPS: Adjustable 2 through 12 position - 30°C indexing

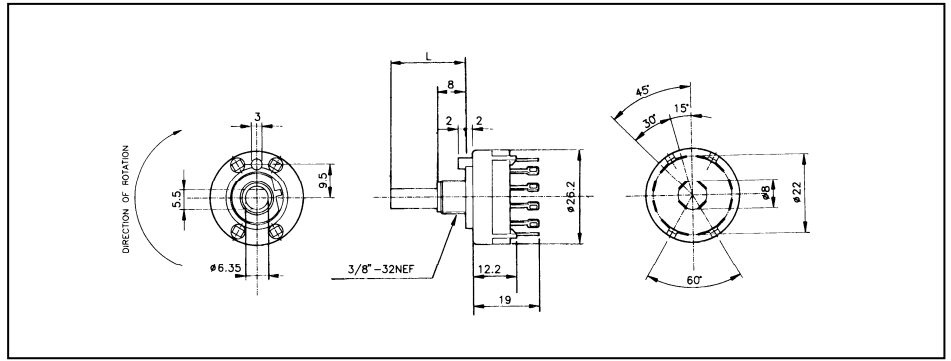
MATERIALS:

SHAFT-Glass filled nylon, color-black
 COVER-Glass filled nylon, color-black
 BASE-Glass filled nylon, color-white
 CONTACTS-Brass, silver plated
 TERMINALS-Brass, silver plated
 HARDWARE-NUT-Zinc, nickel plated
 LOCKWASHER-Steel, bright zinc. Plated
 STOP RING-Brass, nickel plated

HOW TO ORDER

Model No.	Pole /Position	Shaft Length	Timing
<div style="border: 1px solid black; display: flex; justify-content: space-around; width: 100px; height: 20px; margin-bottom: 5px;"> </div> RS-2688 RS-2689	<div style="border: 1px solid black; display: flex; justify-content: space-around; width: 100px; height: 20px; margin-bottom: 5px;"> </div> 0102 0202 0103 0203 0104 0204 0105 0205 0106 0206 0107 0302 0108 0303 0109 0304 0110 0402 0111 0403	<div style="border: 1px solid black; display: flex; justify-content: center; width: 100px; height: 20px; margin-bottom: 5px;"> </div> 8 15 18 21 29 38	<div style="border: 1px solid black; display: flex; justify-content: center; width: 100px; height: 20px; margin-bottom: 5px;"> </div> S= Shorting N= Non -Shorting

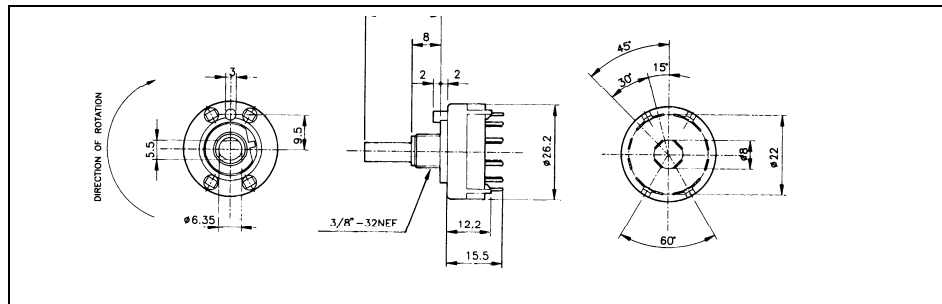
RS-2688



Rating : AC125V 0.3A
 Timing : Shorting or Not Shorting.
 L=8.15.18.21.29.38.

Order No	SW Function	Order No	SW Function
RS2688 0102	SP 2 POS.	RS2688 0202	DP 2 POS.
RS2688 0103	SP 3 POS.	RS2688 0203	DP 3 POS.
RS2688 0104	SP 4 POS.	RS2688 0204	DP 4 POS.
RS2688 0105	SP 5 POS.	RS2688 0205	DP 5 POS.
RS2688 0106	SP 6 POS.	RS2688 0206	DP 6 POS.
RS2688 0107	SP 7 POS.	RS2688 0302	3P 2 POS.
RS2688 0108	SP 8 POS.	RS2688 0303	3P 3 POS.
RS2688 0109	SP 9 POS.	RS2688 0304	3P 4 POS.
RS2688 0110	SP 10 POS.	RS2688 0402	4P 2 POS.
RS2688 0111	SP 11 POS.	RS2688 0403	4P 3 POS.
RS2688 0112	SP 12 POS.		

RS-2689



Rating : AC125V 0.3A
 Timing : Shorting or Not Shorting.
 L=8.15.18.21.29.38.

Order No	SW Function	Order No	SW Function
RS2689 0102	SP 2 POS.	RS2689 0202	DP 2 POS.
RS2689 0103	SP 3 POS.	RS2689 0203	DP 3 POS.
RS2689 0104	SP 4 POS.	RS2689 0204	DP 4 POS.
RS2689 0105	SP 5 POS.	RS2689 0205	DP 5 POS.
RS2689 0106	SP 6 POS.	RS2689 0206	DP 6 POS.
RS2689 0107	SP 7 POS.	RS2689 0302	3P 2 POS.
RS2689 0108	SP 8 POS.	RS2689 0303	3P 3 POS.
RS2689 0109	SP 9 POS.	RS2689 0304	3P 4 POS.
RS2689 0110	SP 10 POS.	RS2689 0402	4P 2 POS.
RS2689 0111	SP 11 POS.	RS2689 0403	4P 3 POS.
RS2689 0112	SP 12 POS.		



COSLAND CO., LTD.

Tel: (02) 2745 8908,
 2745 8909.
 Fax: 886-2-2765 3456.