

Combination Connector & Cable Assembly



群邁企業有限公司

COSLAND CO., LTD.

Website: www.cosland.com

E-Mail: cosland@cosland.com










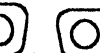

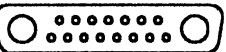
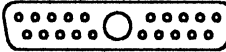





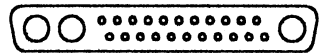


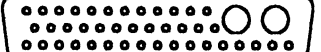
Tel No.: (02)2745 8908, 2745 8909.

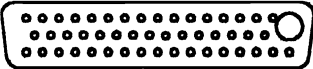
Fax No.: 886-2-2765 3456.

No.6, Alley 30, Lane 59, Sec. 5. Nan King East Rd., Taipei, Taiwan.

COMBINATION D-SUB CONNECTORS

Contact Arrangements

Face View of Pin insert						
Contact Arrangements	1W1	2W2	2V2	5W1	11W1	7W2
Shell Size	E	E	E	E	A	A
No. of Signal Contacts	0	0	0	4	10	5
No. of Coaxial Contacts	1	2	2	1	1	2
Face View of Pin insert						
Contact Arrangements	3W3	3V3	5W5	9W4		
Shell Size	A	A	B	B		
No. of Signal Contacts	0	0	0	5		
No. of Coaxial Contacts	3	3	5	4		
Face View of Pin insert						
Contact Arrangements	13W3	17W2	21W1			
Shell Size	B	B	B			
No. of Signal Contacts	10	15	20			
No. of Coaxial Contacts	3	2	1			
Face View of Pin insert						
Contact Arrangements	8W8	13W6	21W4			
Shell Size	C	C	C			
No. of Signal Contacts	0	7	17			
No. of Coaxial Contacts	8	6	4			
Face View of Pin insert						
Contact Arrangements	17W5	27W2	25W3			
Shell Size	C	C	C			
No. of Signal Contacts	12	25	22			
No. of Coaxial Contacts	5	2	3			
Face View of Pin insert						
Contact Arrangements	24W7	36W4	43W2			
Shell Size	D	D	D			
No. of Signal Contacts	17	32	41			
No. of Coaxial Contacts	7	4	2			
Shell Size :A: DB-15 , B: DB-25, C: DB-37, D: DB-50, E: DB-09						

Face View of Pin insert	
Contact Arrangements	47W1
Shell Size	D
No. of Signal Contacts	46
No. of Coaxial Contacts	1
Face View of Pin insert	
Contact Arrangements	
Shell Size	
No. of Signal Contacts	
No. of Coaxial Contacts	
Shell Size :A: DB-15 , B: DB-25, C: DB-37, D: DB-50, E: DB-09	
Consult us for special request.	

COMBINATION D-SUB CONNECTORS

HOW TO ORDER COMBO D-SUB CONNECTOR

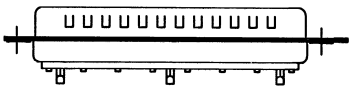
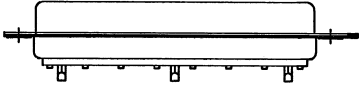
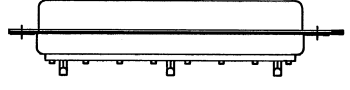
13W3- P- S – B1- ST- IO- M0000

- ① ② ③ ④ ⑤ ⑥ ⑦

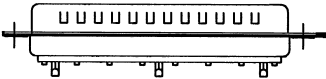
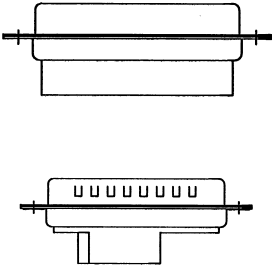
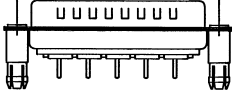
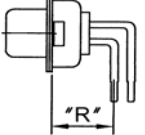
1. Series No.:

1W1, 2W2, 2V2, 5W1,
 7W2, 3W3, 3V3, 11W1, 13W3, 9W4,
 5W5, 17W2, 21W1, 8W8, 13W6, 17W5, 21W4, 25W3, 27W2,
 24W7, 36W4, 43W2, 47W1.

2. Connector Type:

P= Plug	P1= Indent plug	S= Socket
		

3. Signal Contact rear Style :

S=Solder	*C= Crimp	V= Straight Dip	R=Right Angle Dip				
			 <table border="1" style="margin-left: auto; margin-right: auto;"> <tr> <td style="padding: 2px;">R1</td> <td style="padding: 2px;">7.2 mm</td> </tr> <tr> <td style="padding: 2px;">R2</td> <td style="padding: 2px;">9.4 mm</td> </tr> </table>	R1	7.2 mm	R2	9.4 mm
R1	7.2 mm						
R2	9.4 mm						

* Crimp type only for 13W3 Male and 27W2 Female.

4. Signal Contact Plated:

B: Full Gold Flash Over Nickel	B1: 15u" Gold Plated Over Nickel	B3: 30 u" Gold Plated over Nickel	BN: Without signal Contact.
---------------------------------------	---	--	------------------------------------

COMBINATION D-SUB CONNECTORS

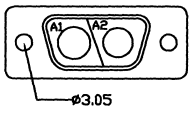
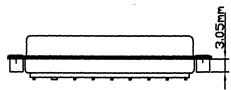
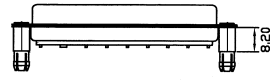
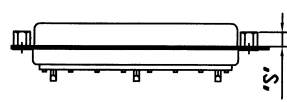

5. Metal Shell Plated :

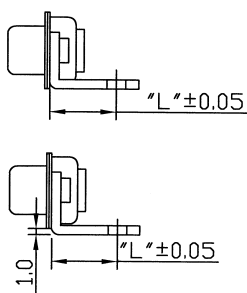
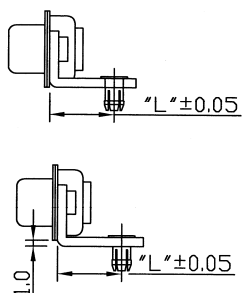
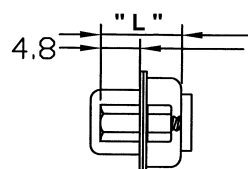
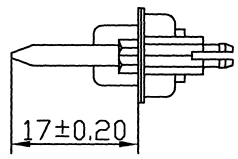
ST: Tin Plated (Std.)	SN: Nickel plated.	SZ: Yellow Zinc Plated.
------------------------------	---------------------------	--------------------------------

6. Insulator Color :

I0: Black(Std)	I1: White	I2: Blue	I3: Green
-----------------------	------------------	-----------------	------------------

7. Hardware Option

M0: 3.05mm through hole. 	M1: #4-40 UNC Clinch nut. 	M2: Straight Dip #4-40 Swaged Standoff Fastener. <table border="1" style="width: 100%; border-collapse: collapse;"> <tr> <td style="padding: 2px;">M2V1</td> <td style="padding: 2px;">6.5mm</td> </tr> <tr> <td style="padding: 2px;">M2V2</td> <td style="padding: 2px;">8.0mm</td> </tr> </table> 	M2V1	6.5mm	M2V2	8.0mm	M3: #4-40 UNC Hex Screw on front Shell. <table border="1" style="width: 100%; border-collapse: collapse;"> <tr> <td style="padding: 2px;">M3S1</td> <td style="padding: 2px;">4.0mm</td> </tr> <tr> <td style="padding: 2px;">M3S2</td> <td style="padding: 2px;">6.0mm</td> </tr> </table> 	M3S1	4.0mm	M3S2	6.0mm	M4: #4-40 UNC Hex Screw on rear Shell. <table border="1" style="width: 100%; border-collapse: collapse;"> <tr> <td style="padding: 2px;">M4S1</td> <td style="padding: 2px;">4.0mm</td> </tr> <tr> <td style="padding: 2px;">M4S2</td> <td style="padding: 2px;">6.0mm</td> </tr> </table> 	M4S1	4.0mm	M4S2	6.0mm
M2V1	6.5mm															
M2V2	8.0mm															
M3S1	4.0mm															
M3S2	6.0mm															
M4S1	4.0mm															
M4S2	6.0mm															

M5: #4-40 standoff R/A metal bracket with 4.0mm hole location. <table border="1" style="width: 100%; border-collapse: collapse;"> <thead> <tr> <th>Model</th> <th>R</th> <th>L</th> </tr> </thead> <tbody> <tr> <td style="padding: 2px;">M5L7</td> <td style="padding: 2px;">7.2</td> <td style="padding: 2px;">8.6</td> </tr> <tr> <td style="padding: 2px;">M5L9</td> <td style="padding: 2px;">9.4</td> <td style="padding: 2px;">10.7</td> </tr> <tr> <td style="padding: 2px;">M5P1</td> <td style="padding: 2px;">9.4</td> <td style="padding: 2px;">10.7</td> </tr> </tbody> </table> 	Model	R	L	M5L7	7.2	8.6	M5L9	9.4	10.7	M5P1	9.4	10.7	M6: #4-40, standoff R/A metal bracket with push-on fastener board lock location. <table border="1" style="width: 100%; border-collapse: collapse;"> <thead> <tr> <th>Model</th> <th>R</th> <th>L</th> </tr> </thead> <tbody> <tr> <td style="padding: 2px;">M6L7</td> <td style="padding: 2px;">7.2</td> <td style="padding: 2px;">8.6</td> </tr> <tr> <td style="padding: 2px;">M6L9</td> <td style="padding: 2px;">9.4</td> <td style="padding: 2px;">10.7</td> </tr> <tr> <td style="padding: 2px;">M6P1</td> <td style="padding: 2px;">9.4</td> <td style="padding: 2px;">10.7</td> </tr> </tbody> </table> 	Model	R	L	M6L7	7.2	8.6	M6L9	9.4	10.7	M6P1	9.4	10.7	M7: Jackscrew. Hex Length Total Length <table border="1" style="width: 100%; border-collapse: collapse;"> <thead> <tr> <th>Model</th> <th>Hex</th> <th>L</th> </tr> </thead> <tbody> <tr> <td style="padding: 2px;">M7H1</td> <td style="padding: 2px;">4.8</td> <td style="padding: 2px;">9.0</td> </tr> <tr> <td style="padding: 2px;">M7H2</td> <td style="padding: 2px;">4.8</td> <td style="padding: 2px;">11.8</td> </tr> <tr> <td style="padding: 2px;">M7H3</td> <td style="padding: 2px;">4.8</td> <td style="padding: 2px;">12.8</td> </tr> </tbody> </table> 	Model	Hex	L	M7H1	4.8	9.0	M7H2	4.8	11.8	M7H3	4.8	12.8	M8: Guide Pin <table border="1" style="width: 100%; border-collapse: collapse;"> <thead> <tr> <th>Model</th> <th>G</th> <th>L</th> </tr> </thead> <tbody> <tr> <td style="padding: 2px;">M8G1</td> <td style="padding: 2px;">17.0</td> <td style="padding: 2px;">22.5</td> </tr> <tr> <td style="padding: 2px;">M8G2</td> <td style="padding: 2px;">19.0</td> <td style="padding: 2px;">24.5</td> </tr> </tbody> </table> 	Model	G	L	M8G1	17.0	22.5	M8G2	19.0	24.5
Model	R	L																																														
M5L7	7.2	8.6																																														
M5L9	9.4	10.7																																														
M5P1	9.4	10.7																																														
Model	R	L																																														
M6L7	7.2	8.6																																														
M6L9	9.4	10.7																																														
M6P1	9.4	10.7																																														
Model	Hex	L																																														
M7H1	4.8	9.0																																														
M7H2	4.8	11.8																																														
M7H3	4.8	12.8																																														
Model	G	L																																														
M8G1	17.0	22.5																																														
M8G2	19.0	24.5																																														

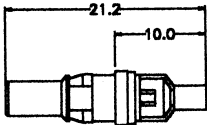
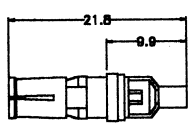
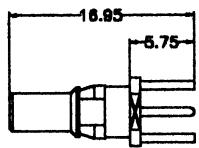
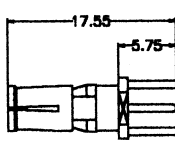
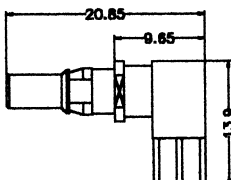
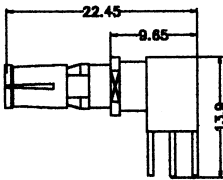
8. Contact Type: Please refer below " How to Order Coaxial / Power Contact "

Coaxial Contact

HOW TO ORDER COAXIAL CONTACT

DXS - 1021 - 50 - B15

① ② ③ ④

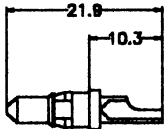
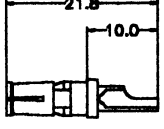
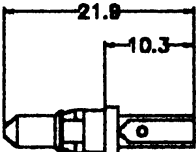
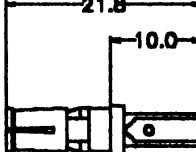
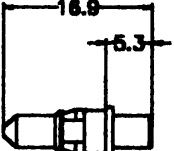
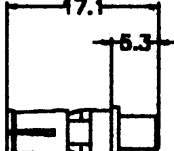
①	②	③	④
DXS- Coaxial, Solder, Type. DXV- Coaxial, Vertical, Dip Type. DXR- Coaxial, R/A, DIP Type	1021 – Female. 1022 – Male.	50- 50 Ohm. 75- 75 Ohm.	B: Gold Flash over Nickel B15: 15u Gold plated over Nickel B30: 30u Gold plated over Nickel B50: 50u Gold plated over Nickel
Contact type	Plug Contact	Receptacle Contact	Special Design
Solder Cup	DXS-1021-XX-B 	DXS-1022-XX-B 	
	DXV-1021-XX-B 	DXV-1022-XX-B 	
	DXR--1021-XX-B 	DXR-1022-XX-B 	

High Power Contact

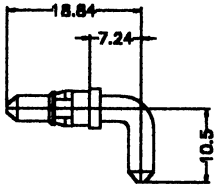
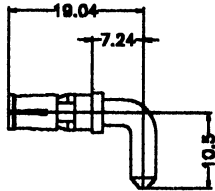
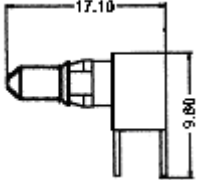
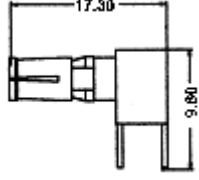
HOW TO ORDER POWER CONTACT

DBC -
 1021 -
 20 -
 B15

①
 ②
 ③
 ④

①	②	③	④	
<p>DBS-Power, Solder Type. DBC-Power, Crimp Type DBV-Power, Vertical DIP Type. DBR- Power, R/A,DIP Type DBRA-Power.R/A,DIP Type</p>	<p>1021 – Female. 1022 – Male.</p>	<p>05- 5 Amp 10- 10 Amp. 20- 20 Amp. 30- 30 Amp. 40- 40 Amp.</p>	<p>B: Gold Flash over Nickel. B15: 15u Gold plated over Nickel. B30: 30u Gold plated over Nickel. B50: 50u Gold plated over Nickel.</p>	
Contact type	Plug Contact	Receptacle Contact	Current Rating Wire Awg / Dimension.	
Solder Cup	DBS-1022-XX-B	DBS-1021-XX-B	40A	
			#8 ~ #10	
			30A	#10 ~ #12
			20A	#12 ~ #14
			10A	#16 ~ #18
Crimp Type	DBC-1022-XX-B	DBC-1021-XX-B	40A	
			#8 ~ #10	
			30A	#10 ~ #12
			20A	#12 ~ #14
			10A	#16 ~ #18
		#26 ~ #28		
Vertical DIP Type	DBV-1022-XX-B	DBV-1021-XX-B	40A	
			Dia.3.75 mm	
			30A	Dia.3.20 mm
			20A	Dia. 2.85 mm
			10A	Dia. 2.00 mm
		5A	Dia. 1.70 mm	

COMBINATION D-SUB CONNECTORS

Right Angle DIP Type	DBRA-1022-XX-B 	DBRA-1021-XX-B 	40A	Dia.3.75 mm
			30A	Dia. 3.20 mm
			20A	Dia. 2.85 mm
			10A	Dia. 2.00 mm
			5A	Dia. 1.70 mm
Right Angle Dip Type	DBR-1022-XX-B 	DBR-1021-XX-B 		

Please consult us for special design.*