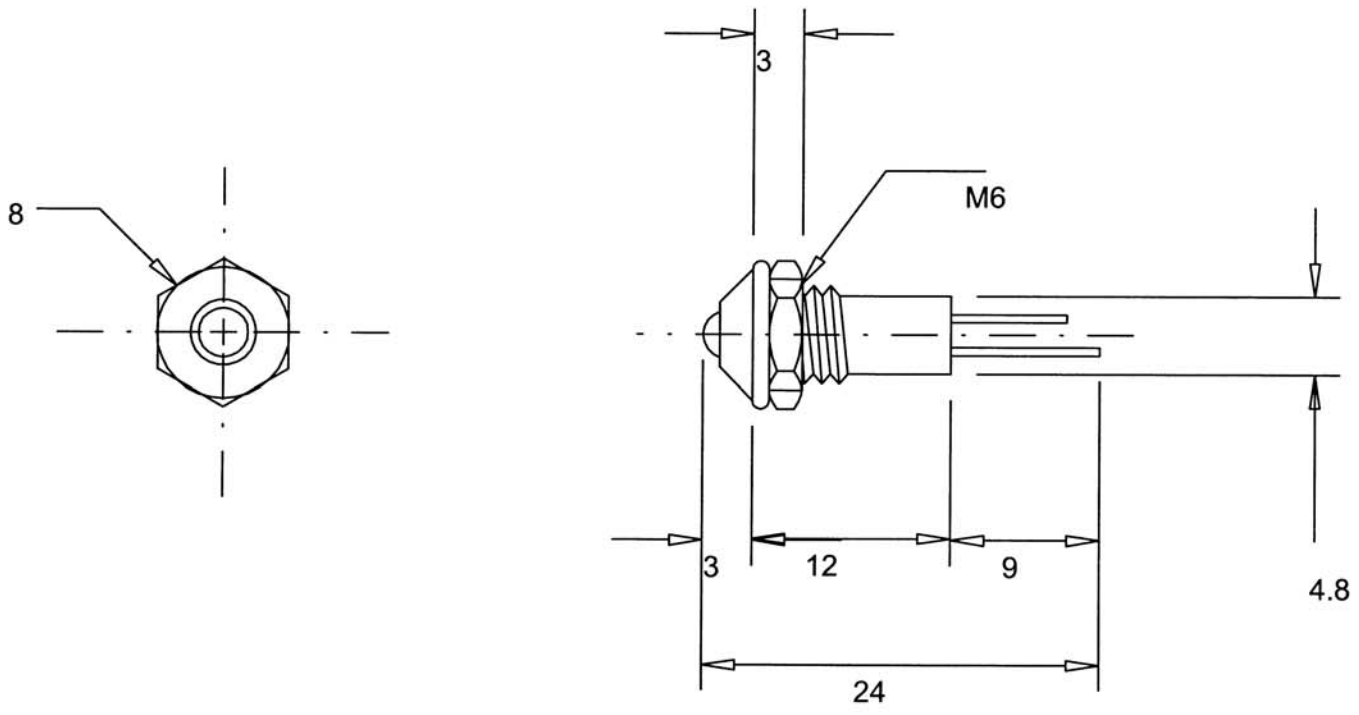


MODEL NO.	LAMP COLOR
<input type="checkbox"/> N-605-R-2V	RED
<input type="checkbox"/> N-605-Y-2V	YELLOW
<input type="checkbox"/> N-605-G-2V	GREEN



6.			
5.	Lamp	LED Ø3.0MM	
4.	Holder	ABS	
3.	Washer	Steel	Nickel Plated.
2.	Nut	Brass	Nickel Plated
1.	Housing	Brass	Nickel Plated
NO.	Description	Material	Finished or others

DESIGN Lucy	CHECKED Paulina Kao
DRAWN ANDY	DATE Feb.28 2000
PART NUMBER N-605	SCALE 3 : 1
DRAWING NUMBER C:\IL\N-605	REV A

INDICATOR LIGHT N-605
COSLAND CO., LTD.
 No.6, Alley 30, Lane 59, Sec. 5,
 NanKing East Rd. Taipei, Taiwan.
 Tel: (02) 2745 8908. Fax: 886-2-2765 3456.