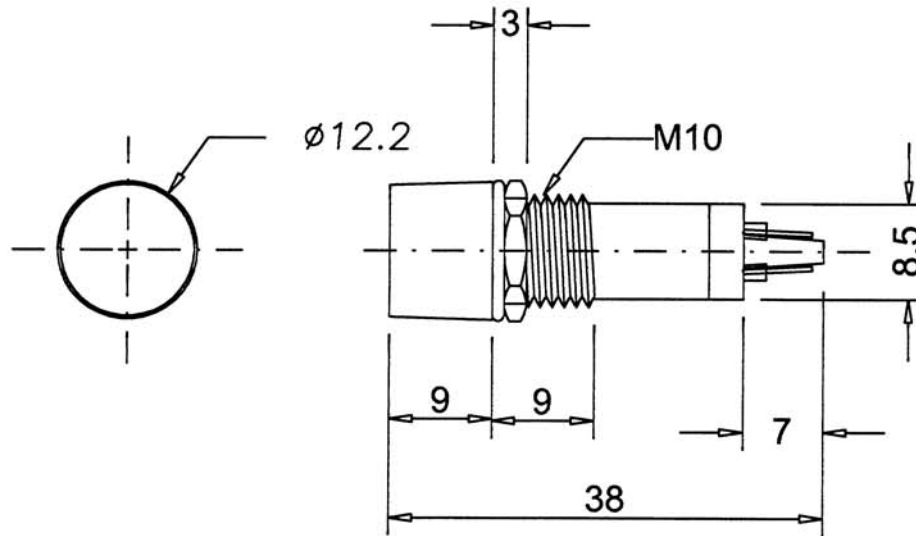


**MODEL NO. LAMP COLOR**

- N-803-R-120V RED
- N-803-O-120V ORANGE
- N-803-G-120V GREEN
- N-803-R-220V RED
- N-803-O-220V ORANGE
- N-803-G-220V GREEN
- N-803P-R-6V RED
- N-803P-O-6V ORANGE
- N-803P-G-6V GREEN
- N-803P-R-12V RED
- N-803P-O-12V ORANGE
- N-803P-G-12V GREEN
- N-803P-R-24V RED
- N-803P-O-24V ORANGE
- N-803P-G-24V GREEN



|     |             |              |                    |
|-----|-------------|--------------|--------------------|
| 6.  |             |              |                    |
| 5.  | Lamp        | 6*12+ R 1/4W |                    |
| 4.  | Holder      | Nylon +Fiber |                    |
| 3.  | Washer      | Steel        | Nickel Plated.     |
| 2.  | Nut         | Brass        | Nickel Plated      |
| 1.  | Housing     | Acrylic      |                    |
| NO. | Description | Material     | Finished or others |

|                               |                        |
|-------------------------------|------------------------|
| DESIGN<br>Lucy                | CHECKED<br>Paulina Kao |
| DRAWN<br>ANDY                 | DATE<br>Feb.28 2000    |
| PART NUMBER<br>N-803          | SCALE<br>2 : 1         |
| DRAWING NUMBER<br>C:\IL\N-803 | REV<br>A               |

**INDICATOR LIGHT N-803**

**COSLAND CO., LTD.**

No.6, Alley 30, Lane 59, Sec. 5,  
NanKIng East Rd. Taipei, Taiwan.  
Tel: (02) 2745 8908. Fax: 886-2-2765 3456.