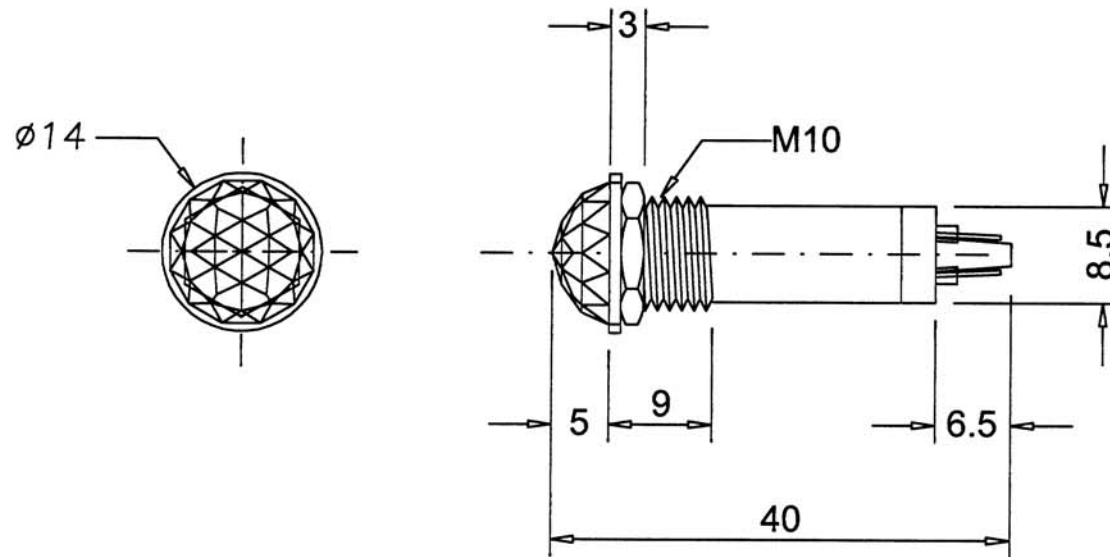


**MODEL NO. LAMP COLOR**

- N-808-R-120V RED
- N-808-O-120V ORANGE
- N-808-G-120V GREEN
- N-808-R-220V RED
- N-808-O-220V ORANGE
- N-808-G-220V GREEN
- N-808P-R-6V RED
- N-808P-O-6V ORANGE
- N-808P-G-6V GREEN
- N-808P-R-12V RED
- N-808P-O-12V ORANGE
- N-808P-G-12V GREEN
- N-808P-R-24V RED
- N-808P-O-24V ORANGE
- N-808P-G-24V GREEN



6.			
5.	Lamp	6*12+ R 1/4W	
4.	Holder	Nylon +Fiber	
3.	Washer	Steel	Nickel Plated.
2.	Nut	Brass	Nickel Plated
1.	Housing	Acrylic	
NO.	Description	Material	Finished or others

DESIGN Lucy	CHECKED Paulina Kao
DRAWN ANDY	DATE Feb.28 2000
PART NUMBER N-808	SCALE 2 : 1
DRAWING NUMBER C:\ILIN-808	REV A

**INDICATOR LIGHT N-808**  
**COSLAND CO., LTD.**  
 No.6, Alley30, Lane59, Sec.5,  
 NanKing East Rd. Taipei, Taiwan.  
 Tel:(02)2745 8908, Fax:886-2-2765 3456.