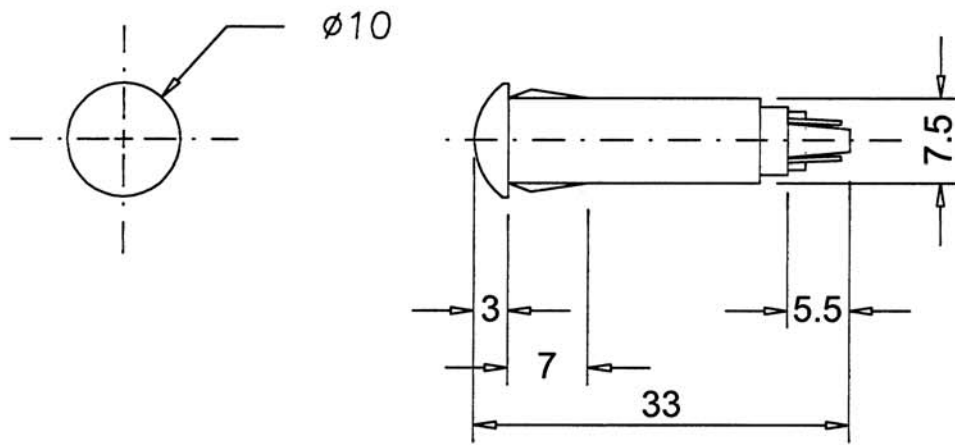


MODEL NO.	LAMP COLOR
-----------	------------

- | | | |
|--------------------------|--------------|--------|
| <input type="checkbox"/> | N-816-R-120V | RED |
| <input type="checkbox"/> | N-816-O-120V | ORANGE |
| <input type="checkbox"/> | N-816-G-120V | GREEN |
| <input type="checkbox"/> | N-816-R-220V | RED |
| <input type="checkbox"/> | N-816-O-220V | ORANGE |
| <input type="checkbox"/> | N-816-G-220V | GREEN |
| <input type="checkbox"/> | N-816L-R-6V | RED |
| <input type="checkbox"/> | N-816L-Y-6V | YELLOW |
| <input type="checkbox"/> | N-816L-G-6V | GREEN |
| <input type="checkbox"/> | N-816L-R-12V | RED |
| <input type="checkbox"/> | N-816L-Y-12V | YELLOW |
| <input type="checkbox"/> | N-816L-G-12V | GREEN |
| <input type="checkbox"/> | N-816L-R-24V | RED |
| <input type="checkbox"/> | N-816L-Y-24V | YELLOW |
| <input type="checkbox"/> | N-816L-G-24V | GREEN |
| <input type="checkbox"/> | N-816P-R-6V | RED |
| <input type="checkbox"/> | N-816P-O-6V | ORANGE |
| <input type="checkbox"/> | N-816P-G-6V | GREEN |
| <input type="checkbox"/> | N-816P-R-12V | RED |
| <input type="checkbox"/> | N-816P-O-12V | ORANGE |
| <input type="checkbox"/> | N-816P-G-12V | GREEN |
| <input type="checkbox"/> | N-816P-R-24V | RED |
| <input type="checkbox"/> | N-816P-O-24V | ORANGE |
| <input type="checkbox"/> | N-816P-G-24V | GREEN |



6.			
5.			
4.	Terminal	Brass	Nickel Plated
3.	Lamp	4*11+ R 1/4W	
2.	Holder	Nylon +Fiber	
1.	Housing	PC	
NO.	Description	Material	Finished or others

DESIGN Lucy	CHECKED Paulina Kao
DRAWN ANDY	DATE Feb.28 2000
PART NUMBER N-816	SCALE 2 : 1
DRAWING NUMBER C:\ILIN-816	REV A

INDICATOR LIGHT N-816
COSLAND CO., LTD.
 No.6, Alley30, Lane59, Sec.5,
 NanKing East Rd. Taipei, Taiwan.
 Tel: (02) 2745 8908. Fax: 886-2-2765 3456.