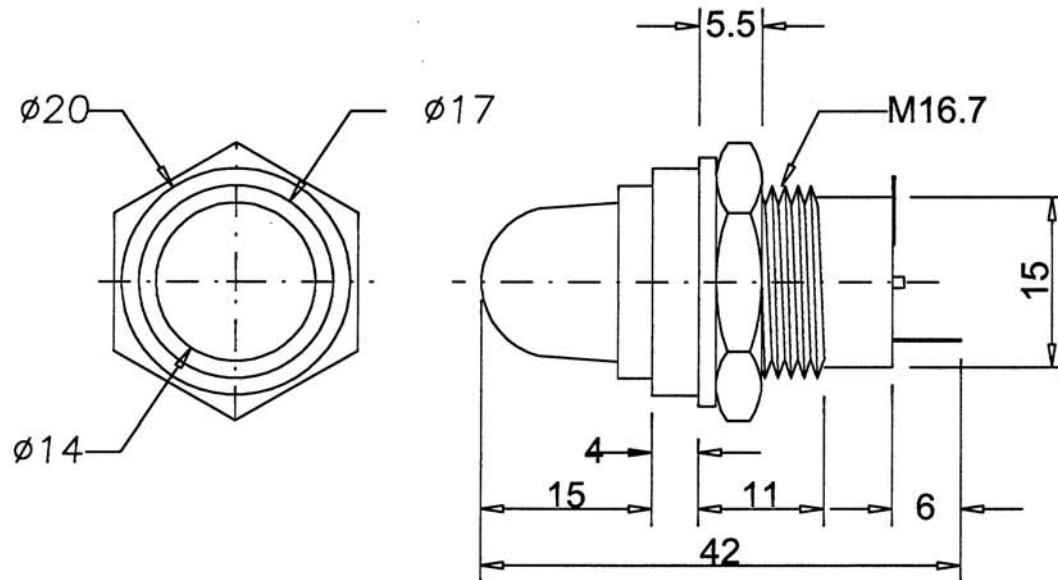


MODEL NO.	LAMP COLOR
-----------	------------

- |                                  |        |
|----------------------------------|--------|
| <input type="checkbox"/> N-831-R | RED    |
| <input type="checkbox"/> N-831-O | ORANGE |
| <input type="checkbox"/> N-831-G | GREEN  |



9.			
8.	Rivet	Aluminum	
7.	Paper Board	Bakelite	
6.	Lamp Holder	Brass	
5.	Terminal	Brass	Nickel Plated
4.	Shade	Acrylic	
3.	Washer	Steel	Nickel Plated
2.	Nut	Brass	Nickel Plated
1.	Housing	PC	
NO.	Description	Material	Finished or others

DESIGN Lucy	CHECKED Paulina Kao
DRAWN ANDY	DATE Feb.28 2000
PART NUMBER N-831	SCALE 2 : 1
DRAWING NUMBER C:ILIN-831	REV A

**INDICATOR LIGHT N-831**

**COSLAND CO., LTD.**

No.6, Alley 30, Lane 59, Sec. 5,  
NanKIng East Rd. Taipei, Taiwan.  
Tel: (02) 2745 8908. Fax: 886-2-2765 3456.